

卡箍式电磁屏蔽防水接头

EMV Clamp type Cable Gland



主体材质：黄铜镀镍

Material: Nickel-plated brass

温度：-40°C~+100°C，短时间 120°C

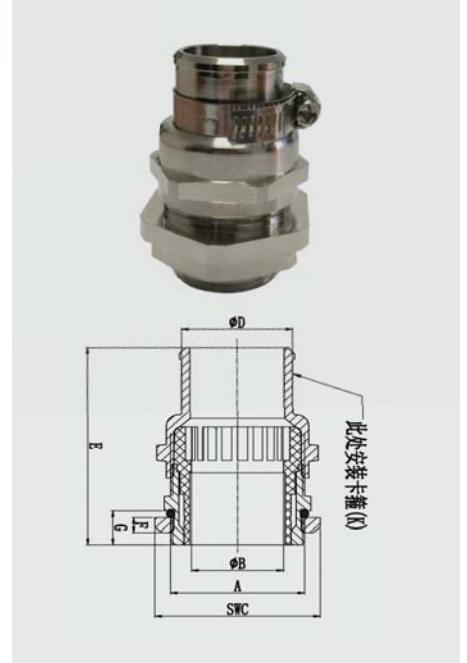
Temperature range: -40°C ~ +100°C, short-term to 120°C

防护等级：IP68(使用 O 型圈的情况下)

Protection Degree: IP68(Using O-sealing)

特性：可屏蔽电磁干扰，不含卤素和镉，同时具有极好的抗冲击强度。

Properties: Resistant to EMI shielding free of halogen and cadmium, with excellent impact strength.



型号 Part no.	螺纹 A Thread	B	尺寸 Dimension(mm)			F	G	K	包装(个) Packing
			C	D	E				
HSM-EMV-M12(3-6.5)/K	M12X1.5	6.5	14.0	10.0	37.0	2.7	6.0	K10-16	25
HSM-EMV-M16(4-8)/K	M16X1.5	8.0	20.0	12.0	40.0	3.0	7.0	K12-22	25
HSM-EMV-M16(5-10)/K	M16X1.5	10.0	20.0	13.5	40.0	3.0	7.0	K12-22	25
HSM-EMV-M20(6-12)/K	M20X1.5	12.0	22.0	15.5	43.0	3.0	8.0	K12-22	25
HSM-EMV-M20(8-14)/K	M20X1.5	14.0	22.0	17.3	42.3	3.0	8.0	K16-27	25
HSM-EMV-M25(10-16)/K	M25X1.5	16.0	27.0	19.0	44.3	3.2	8.0	K16-27	15
HSM-EMV-M25(13-18)/k	M25X1.5	18.0	30.0	21.3	50.9	3.5	8.0	K20-32	15
HSM-EMV-M32(15-22)/K	M32X1.5	22.0	36.0	26.5	52.8	4.0	9.0	K25-40	10
HSM-EMV-M32(18-25)/K	M32X1.5	25.0	40.0	29.5	56.6	4.5	8.0	K25-45	10
HSM-EMV-M40(18-25)/K	M40X1.5	25.0	45.0	29.5	58.9	4.5	9.0	K25-45	10
HSM-EMV-M40(22-32)/K	M40X1.5	32.0	50.0	36.2	67.6	4.5	12.0	K32-50	10
HSM-EMV-M50(32-38)/K	M50X1.5	38.0	57.0	43.5	68.7	5.0	12.0	K40-60	5
HSM-EMV-M63(37-44)/K	M63X1.5	44.0	70.0	49.0	69.3	5.5	12.0	K50-70	5